

# ECO-i™ Submittal Data



Building Life.

**WCHDZ20053**

**Heat Recovery: 16 tons VRF Outdoor Unit**

Job Name: \_\_\_\_\_  
 Location: \_\_\_\_\_  
 Engineer: \_\_\_\_\_  
 Submitted to: \_\_\_\_\_  
 Submitted by: \_\_\_\_\_  
 Reference: \_\_\_\_\_

Approval: \_\_\_\_\_  
 Date: \_\_\_\_\_  
 Construction: \_\_\_\_\_  
 Unit #: \_\_\_\_\_  
 Drawing #: \_\_\_\_\_



**Compressor Warranty: 6 Years**  
**Parts Warranty: 1 Year**  
**Coil Coated to Protect Against Corrosion**  
**Salt Protection also available**



**Capacities**

Cooling: Btu/h 191,00  
 Power Input: KW 8.12 (each)  
 Heating: Btu/h 215,000  
 Power Input: KW 7.97 (each)

**Cooling Mode Nominal Conditions**

Indoor: °F DB/°F WB 80/67  
 Outdoor: °F DB 95  
 Pipe Length (feet): 25  
 Level Difference (feet): 0

**Heating Mode Nominal Conditions**

Indoor: °F DB 70  
 Outdoor: °F DB/ °F WB 47/43  
 Pipe Length (feet): 25  
 Level Difference (feet): 0

**Operating Range**

Cooling: °F DB: 14 to 113  
 Heating: °F DB: -4 to 59  
 Heating + Cooling °F DB 14 to 113

**Compressor**

Quantity/Type: 1 Inverter driven rotary & 1 fixed speed scroll (each)  
 Capacity Control Range: 10-100%

**Fan**

Quantity/Type: 1 Propeller (each)  
 Fan Motor Output (KW): 0.7 (each)

**Power Supply**

V/PH/Hz. 208-230 / 3 / 60  
 Minimum circuit Amps (MCA): Amps 37 (each)  
 Max. Overcurrent Protection (MOCP): 50 (each)

**Weight (lbs):** 657 (each)

**Refrigerant:** 410A

**Coil**

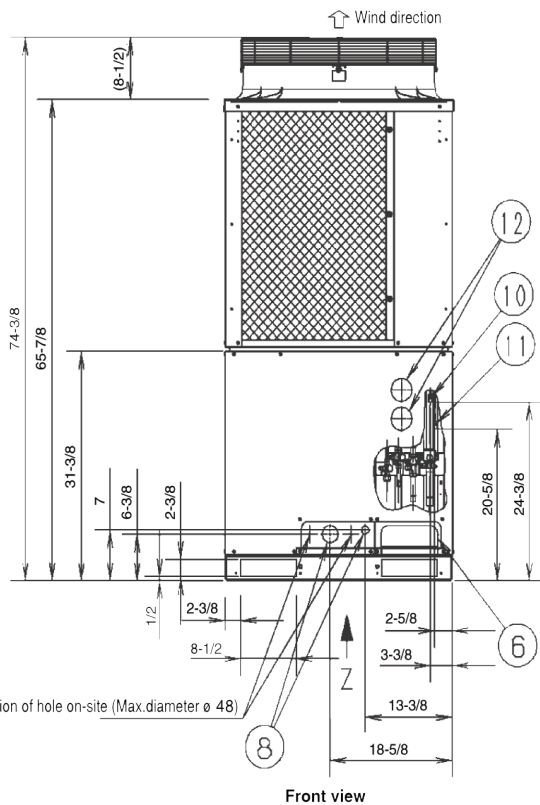
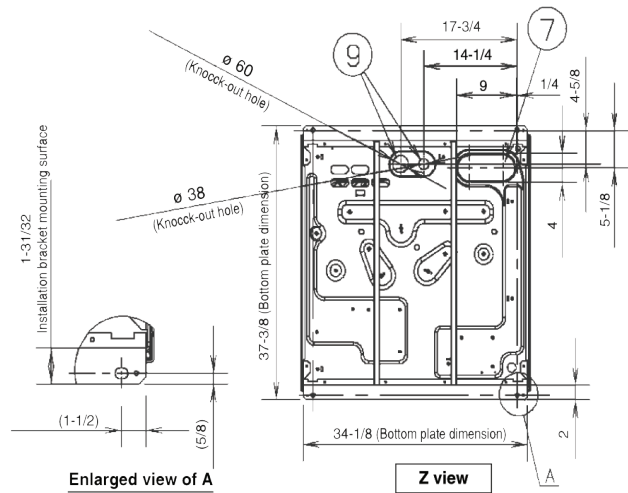
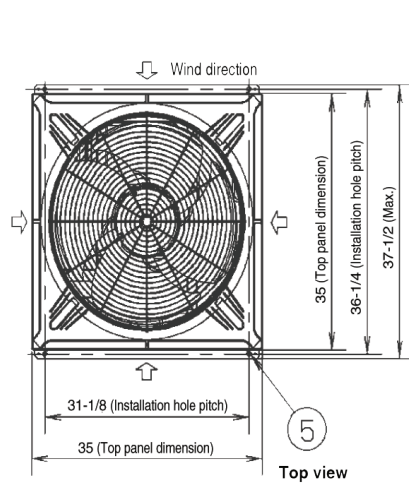
Coil Face Area (sq. ft.): 22.5 (each)  
 Number of Rows: 4 (each)

**Protection Devices**

High Pressure Switch: Yes  
 Overcurrent (CT Method): Yes  
 Crankcase Heaters (W): 25 + 32 (each)

**External Finish:** Electrostatic Powder Coating

# Dimensions



Space for creation of hole on-site (Max. diameter ø 48)

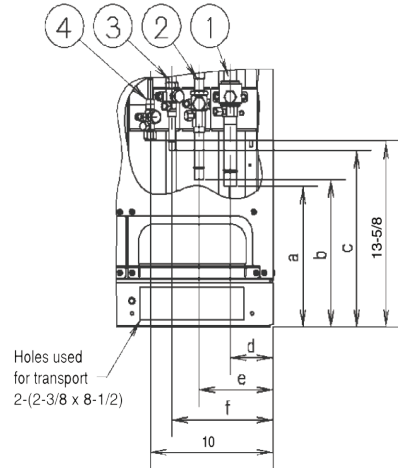


Table of Measurements for Refrigerant Tube Connection

Equivalent horsepower	Size (In.)					
	a	b	c	d	e	f
10	6-1/2	6-7/8	12-7/8	3-1/2	6	8-1/4
16	7-1/8	7-1/4	12-7/8	3-1/2	6	8-1/4

※ Measurements for assume that the supplied connection tubing is used.

		10hp	16hp
①	Refrigerant (suction tube)	brazed connection ø7/8"	ø1-1/8"
②	Refrigerant (discharge tube)	brazed connection ø3/4"	ø7/8"
③	Refrigerant (liquid tube)	brazed connection ø3/8"	ø1/2"
④	Refrigerant (balance tube)	brazed connection ø3/8"	ø3/8"
⑤	Installation holes (4 – 15x 20 elongated holes), anchor bolts M12 or larger		
⑥	Refrigerant (front: knockout hole and slit)		
⑦	Tubing port (bottom: hole with cover)		
⑧	Electrical wiring port (front: ø60, ø28 knock-out holes – for conduit connection)		
⑨	Electrical wiring port (bottom: ø60, ø38 knock-out holes – for conduit connection)		
⑩	Pressure outlet port (for high pressure: ø7.94 Schrader-type connection)		
⑪	Pressure outlet port (for low pressure: ø7.94 Schrader-type connection)		
⑫	Knock-out hole for connecting pressure gauge (optional)		

**SANYO**

Sanyo Commercial Solutions  
A Division of SANYO North America  
1300 Michael Drive, Suite A  
Wood Dale, IL 60191 USA  
www.sanyohvac.com